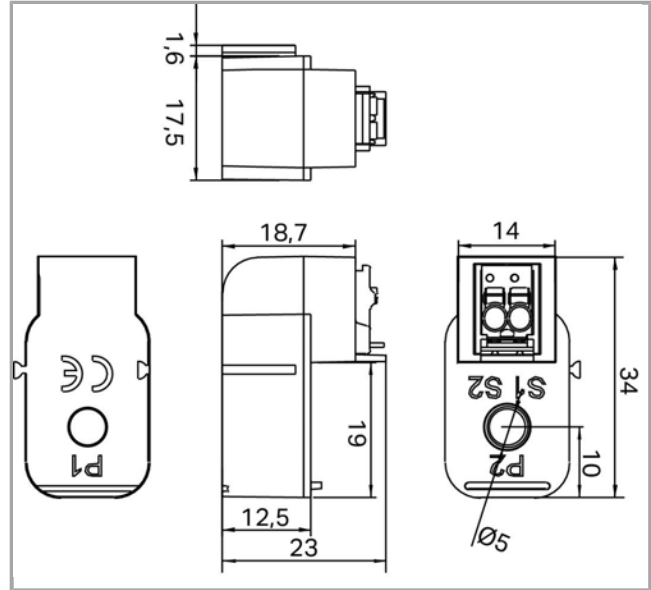


Data sheet | Item number: 855-1700/032-000

Plug-in current transformer; Primary rated current 32 A; Secondary rated current 320 mA



855-1700\_032-000



RoHS  Compliant

[BOMcheck.net](https://www.bomcheck.net)

### Item description

Short description:

The *picoMAX*<sup>®</sup> Plug-In Current Transformer with a low-power output is specifically tailored to WAGO's 750 Series 3-Phase Power Measurement Modules.

Features:

- All-new, low-power output design with *picoMAX*<sup>®</sup>
- Assembly via side latches
- Can be mounted directly on an ECB

**Note:**

- The 855-1700/032-000 Plug-In Current Transformer is exclusive to the WAGO-I/O-SYSTEM and shall only be used with WAGO's 750 Series 3-Phase Power Measurement Modules.
- WAGO recommends the following conductor cross section and length: 1.5 mm<sup>2</sup> (14 AWG) and maximum 3.0 m at the output
- Measurement range: 0.8 to 32 A in combination with the three-phase power measurement modules (750-493/494/495)
- Testing adheres to EN 61869-2 with a conversion ratio of 16 A/0.16 A (accuracy class: 0.5) and an extended primary current of 200%.

**Data****Technical Data****Input – current transformer**

Primary rated current	32 A
Rated short-time thermal current $I_{th}$	2 kA / 0.1 s
Rated surge current $I_{dyn}$	2.5 x $I_{th}$
Rated frequency	50 60 Hz

**Output – Current transformer**

Highest voltage for equipment $U_m$	720 V <sub>rms</sub> AC
Secondary rated current	0.32 A
Rated power $S_r$	0.01 VA

**Measurement error**

Accuracy class	0.5
----------------	-----

**Safety and protection:**

Highest voltage for equipment $U_m$	AC 720 V <sub>rms</sub>
Test voltage	AC 3 kV; 50 Hz; 1 min
Protection class	IP20

**Connection data**

Connection technology	Push-in CAGE CLAMP <sup>®</sup>
WAGO terminal	<i>picoMAX</i> <sup>®</sup> 3.5, 2091-1122
Solid conductor	0.2 1.5 mm <sup>2</sup> / 24 14 AWG

Fine-stranded conductor	0.2 1.5 mm <sup>2</sup> / 24 14 AWG
Strip length	8 9 mm / 0.31 0.35 inch
Feedthrough for measurement conductor	Ø 5.0 mm

### Geometrical Data

Width	17 mm / 0.669 inch
Height	34 mm / 1.339 inch
Depth	23 mm / 0.906 inch

### Mechanical data

Type of mounting	Current transformers (closed) Mounting on round cable
------------------	--

### Material Data

Insulation class	E
Housing material	PA 66
Weight	11 g

### Environmental Requirements

Surrounding air (operating) temperature	-10 55 °C
Surrounding air (storage) temperature	-20 70 °C
Relative humidity	5 85 % (no condensation)
Max. operating altitude	2000 m

### Standards and specifications

Standards/specifications	EN 61869-2; EN 61010-1
--------------------------	------------------------

### Commercial data

Country of origin	NL
GTIN	4055143333436
Customs Tariff No.	85043180888

### Compatible products

#### tools



Item no.: 210-719  
Operating tool; Blade: 2.5 x 0.4 mm; with a partially insulated shaft

210-719



## Downloads

### Documentation

#### Instruction Leaflet

Aufsteck-Stromwandler mit picoMAX - Steckverbinder		pdf 328.4 kB	Download
--	--	-----------------	----------

---

#### Additional Information

Disposal; Electrical and electronic equipment, Packaging	V 1.0.0	pdf 265.8 kB	Download
--	---------	-----------------	----------

---

## CAD/CAE - Smart Data

### EPLAN

EPLAN Data Portal			Download
-------------------	--	--	----------

---

### WSCAD

WSCAD Universe			Download
----------------	--	--	----------

---

Subject to changes.

---